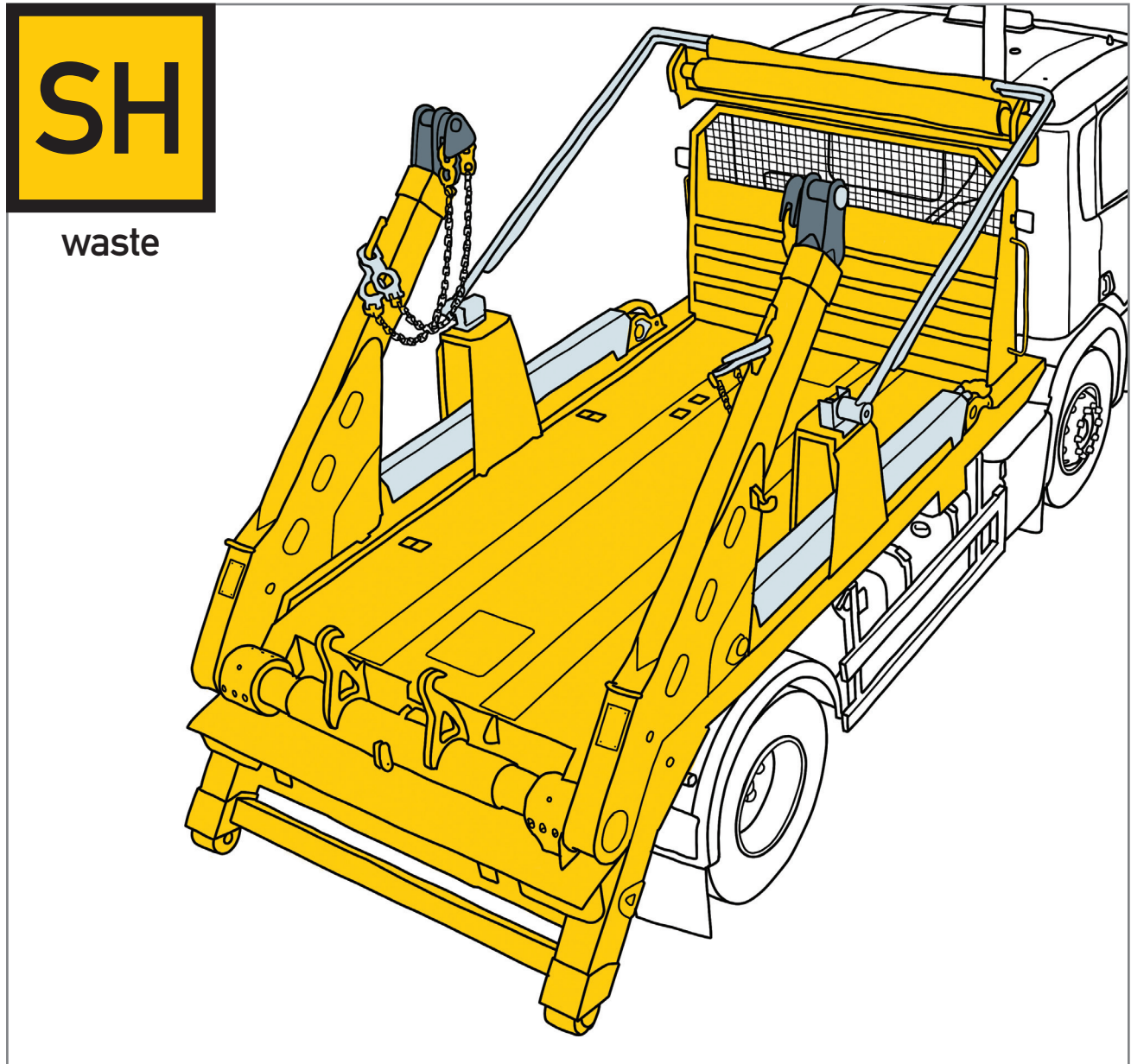


## SH Skiploaders

For Truck Chassis, 18 / 26 Tonnes GVW



Harsh Limited  
The Industrial Estate, Full Sutton, York, YO41 1HS  
Tel: 01759 372100  
[www.harshuk.com](http://www.harshuk.com)

## HARSH SH Skiploaders

For Truck Chassis, 18 / 26 Tonnes GVW

### Why choose HARSH Skiploaders?

Above all, operators choose HARSH Skiploaders for their strength, durability and reliability.

In the most arduous and aggressive of all truck operating environments, such day in, day out performance counts for everything.

HARSH Skiploaders have many individual features that immediately translate into real, productive benefits. Equally important, HARSH back-up and service support is genuinely second to none.

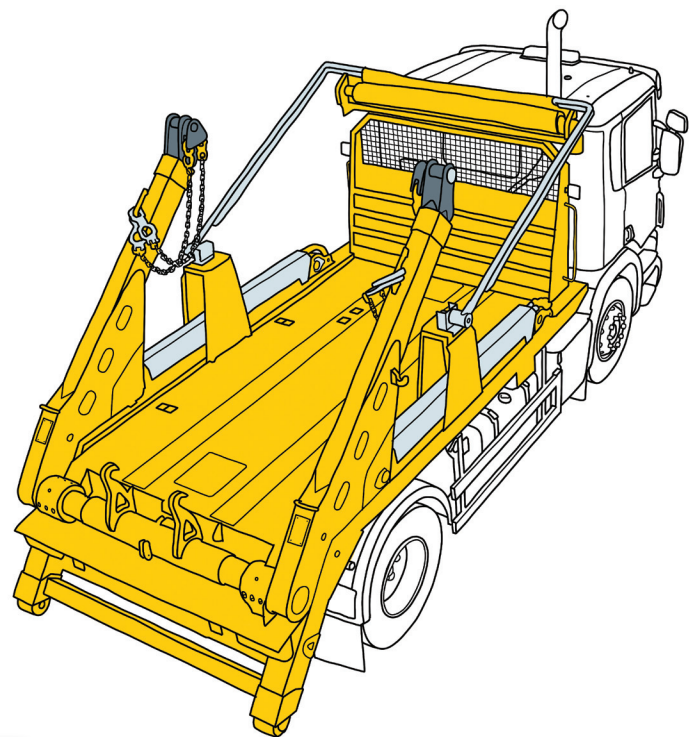
All of which means that HARSH Skiploaders are truly built to take it. Anything, anywhere, with the maximum possible productivity.



waste

### HS14T Features & Benefits

- 14 tonnes lift capacity
- 10 tonnes lift at full arm reach of 4250mm
- Independently operating arms and feet
- Constructed in heavy duty Domex / Hardox steel, 3150kgs unladen
- Fast lift - off for empty containers
- Multi - position skip stops
- Steel headboard and heavy duty wear plates
- Optional remote control
- Bent axis piston pump and hose burst protection
- Built to CHEM TS16 standard
- Suitable for skips from 6 to 16 cu.yds
- HS18T model for 26t chassis with 18t lift capacity



### Skiploader Models

- HS14T for 4x2 18t GVW truck chassis
- HS18T for 6x2 / 6x4 26t GVW truck chassis