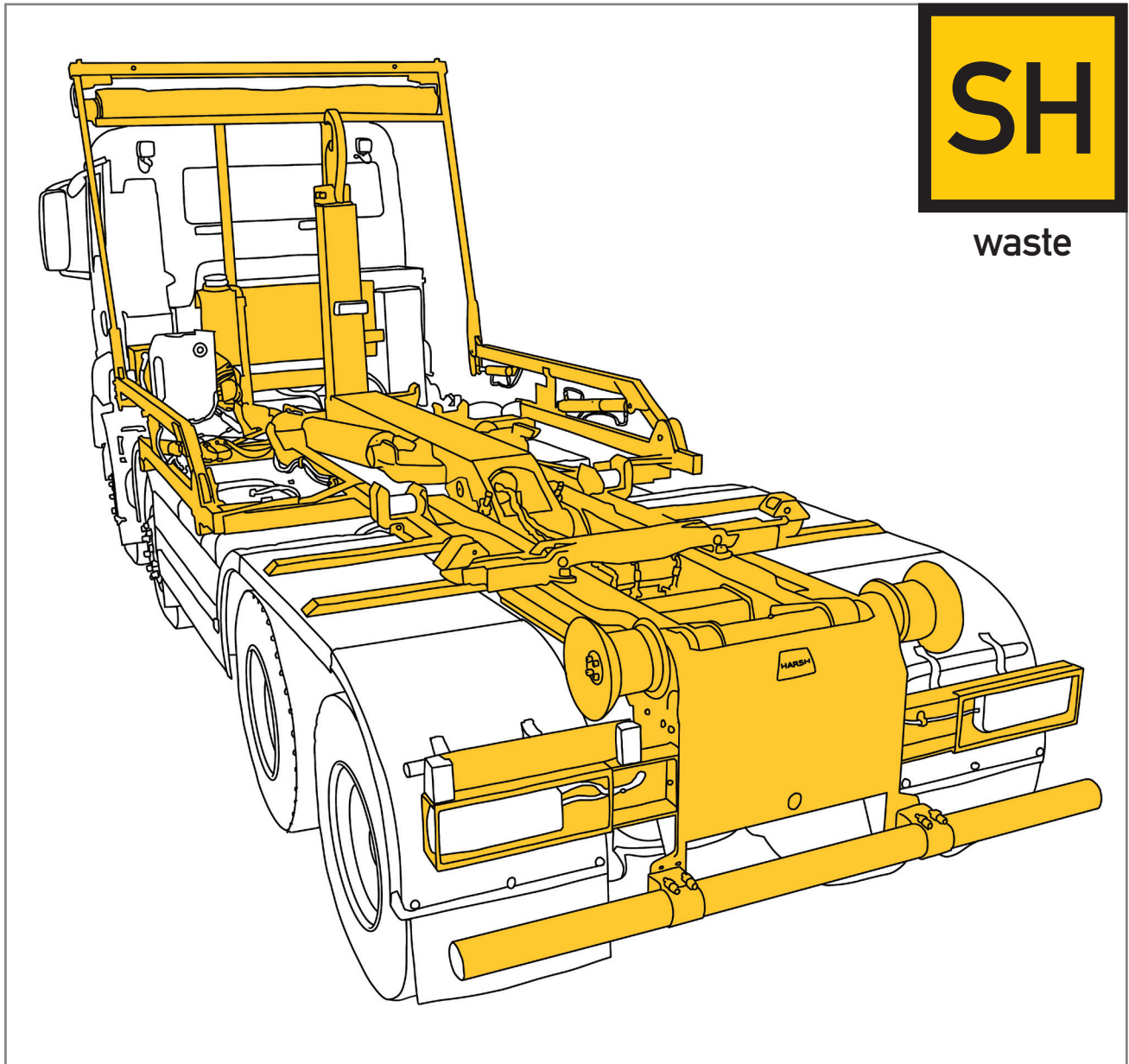


SH Hookloaders

For Truck Chassis 32 Tonnes GVW



waste

Harsh Limited
The Industrial Estate, Full Sutton, York, YO41 1HS
Tel: 01759 372100
www.harshuk.com

HARSH SH Hookloaders

For Truck Chassis 32 Tonnes GVW

Why choose HARSH Hookloaders?

HARSH Hookloaders are built to take it. Carrying all types and sizes of containers from site clearance to landfill, from factories to recycling centres.

Moving anything, anywhere, with day in, day out reliability. In some of the most arduous and aggressive of all truck operating environments, such versatility and proven performance count for everything.

Whilst HARSH Hookloaders are built for heavy duty operation, they are also attractively light in weight. Designed with a highly advanced technical specification, they offer an exceptionally productive operating proposition.

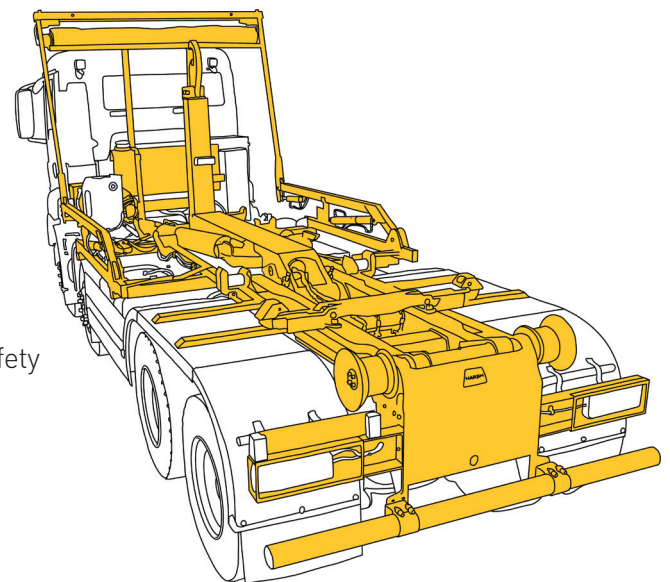
Equally important, HARSH back-up and service support is genuinely second to none.



waste

HH26 Features & Benefits

- 26 tonnes lift capacity
- Modular design for ease of installation and maintenance
- Low profile Z frame for improved lifting efficiency and minimum stress
- Lower centre of gravity for improved vehicle stability and safety
- High 52 degrees tipping angle
- Hydraulic cam container locking system
- Integrated 'Variwidth' adjustable sheeting system
- Built to CHEM TS17 standard
- Suitable for CHEM TS8 Type 20 containers with 5790mm internal length
- 3050 - 3250kgs weight
- Other models available from 3.5t to 44t drawbars



Hookloader Model

- HH26 for 8x2 / 8x4 32t truck chassis

Harsh Limited, The Industrial Estate, Full Sutton, York, YO41 1HS
www.harshuk.com e: harsh@harshuk.com t: 01759 372100

